

## 【WP201/202 series isolation transformation module】

### > Product summary

WP201/202 series isolation transformation module adopts miniature guide way type structure surface packing technique, has a great improved anti-interference ability of module, It can to transform analog signal such as temperature, pressure, flow, displacement, standard voltage and current and so on into isolated with it the standard voltage or current signal output and wide use to fields such as metallurgy, chemical industries, petroleum chemical, papermaking and printing、dyeing, brewing, tobacco and aerospace base and so on.

It may intuitively indicates measuring value, can modify the parameter, easy to field debugging and operation. Two-way transmitter output isolates each other and has current/voltage output choice function also can against the different scope to transmit output respectively, and satisfy field variety requirement.

### > Spectrum table for WP201/202 series isolation transformational module

Model										Explanation
<b>WP-20</b>	<input type="checkbox"/>	<input type="checkbox"/>	<input type="checkbox"/>	<input type="checkbox"/>	<input type="checkbox"/>	<input type="checkbox"/>	<input type="checkbox"/>	<input type="checkbox"/>	<input type="checkbox"/>	Intelligent numeral display isolation module
<b>Input channel</b>	1									Single channel input
	2									Double channel input
<b>Input type</b>	TC									Intelligent thermocouple temperature isolation transmit
	TR									Intelligent thermo resistance temperature isolation transmit
	IC									Intelligent current/voltage transformation module
	DL									Intelligent distributor (double channels input has no this function)
	TI									Other type transformation module
<b>First channel Output mode</b>			1							First channel output is (1~5) V
			2							First channel output is (4~20) mA
			3							First channel output is (0~5) V
			4							First channel output is (0~10) mA
			5							Special specification transmitter output
<b>Second channel Output mode</b>			0							No second channel output
			1							Second channel output is (1~5) V
			2							Second channel output is (4~20) mA
			3							Second channel output is (0~5) V
			4							Second channel output is (0~10) mA
			5							Special specification transmit output
<b>Third channel Output mode</b>			0							No third channel output (double channel has no this function)
			1							third channel output is relay
			2							third channel output is SCR
			3							third channel output is SSR
			4							third channel output is RS-485 communication interface
<b>PV input code</b>				<input type="checkbox"/>	<input type="checkbox"/>					See "input type table"
<b>SV input code</b>						<input type="checkbox"/>	<input type="checkbox"/>			See "input type table" (single channel input has no this code)
<b>Supply mode</b>								T		AC90~265 V switch power supply (can be omitted)
								W		DC24 V supply
<b>Scope of output range</b>								( )		The scope of output range

Option as an example: WP-201TC224-03 (0~1300℃), user demands single channel input thermocouple temperature isolation transformation module, two channels output both are 4~20 mA, with 485 communication, input type is K type thermocouple, the scope of output range is 0~1300℃.

WP-202TC220-0303 (0~1300℃), user requires double channels input thermocouple temperature isolation transformation module, two channel output both are 4~20 mA with 485 communication, input type is K type thermocouple, the scope of output range is 0~1300℃.

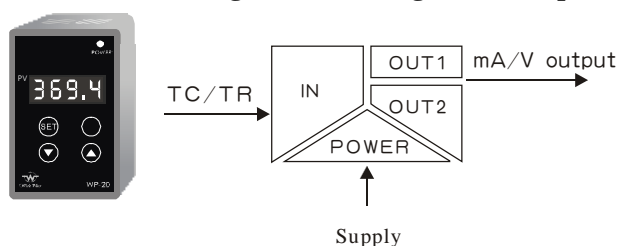
> Spectrum table for intelligent frequency transformation module

Model						Explanation	
<b>WP-201</b>	-□	□	□	□	-□	-□	Intelligent single channel input numeral displaying transformation module
<b>Input type</b>	F						Intelligent frequency transformation module (frequency: 0~7 KHz)
<b>Input code</b>		1					adapt triangular wave, sine wave, square wave signal (500 mV~24 V)
		2					adapt NPN, PNP triode OC gate signal
		3					adapt passive contact signal
		4					adapt (8~220 V) AC wave
<b>Communication mode</b>		0					No communication interface
		8					RS-485 communication interface
<b>Transmission output</b>			1				(1~5) V
			2				(4~20) mA
			3				(0~5) V
			4				(0~10) mA
			5				Special specification transmitter output
<b>Alarm output</b>			N				No alarm output
			H				High limit alarm output
			L				Low limit alarm output
<b>supply mode</b>						T	AC (90~265) switch power supply (can be omitted)

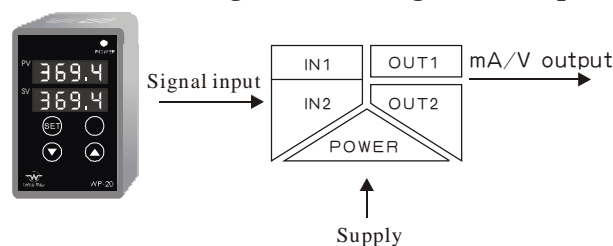
Option as an example: WP201-F101-H-T, users demand LED numeral display intelligent frequency transformation module, frequency is 0~7 KHz, adapt triangular wave, sine wave and square wave signal, without communication interface, output is (1~5) V, high limit alarm output, supply mode is AC (90~265) V switch power supply.

> Outline drawing

WP201 outline drawing and block diagram of the principle

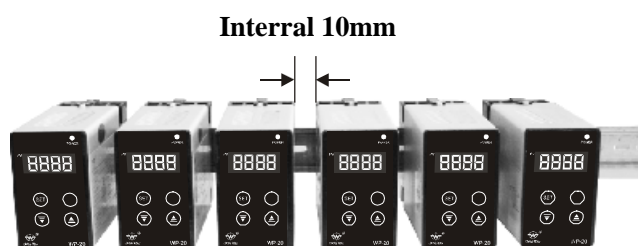


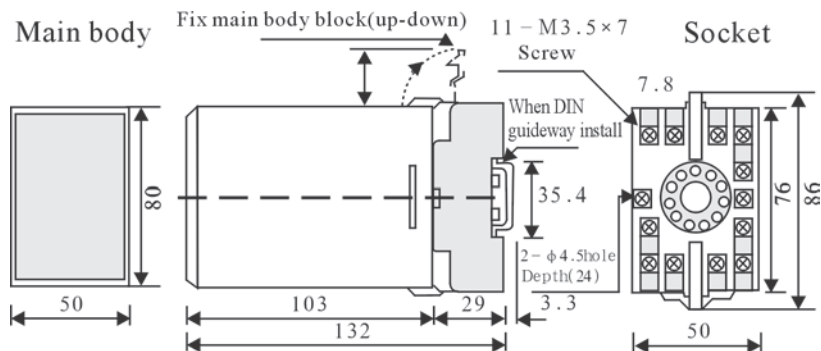
WP202 outline drawing and block diagram of the principle



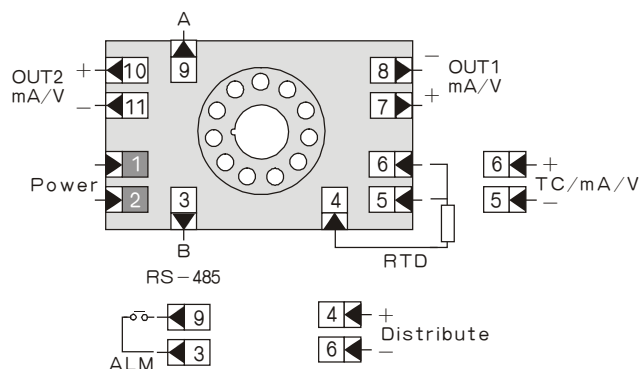
➤ Schematic diagram for WP module universal installation (DIN guide way installation or wall-mounting outline dimension, unit: mm)

➤

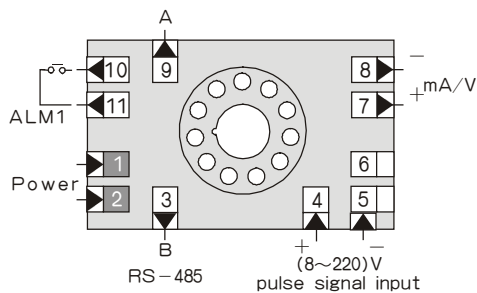




➤ **Wiring diagram for WP201 series isolation transformation module**



>> **Wiring diagram for WP201 series intelligent frequency transformational module**



>> **Wiring diagram for WP 202 series isolation transformation module**

